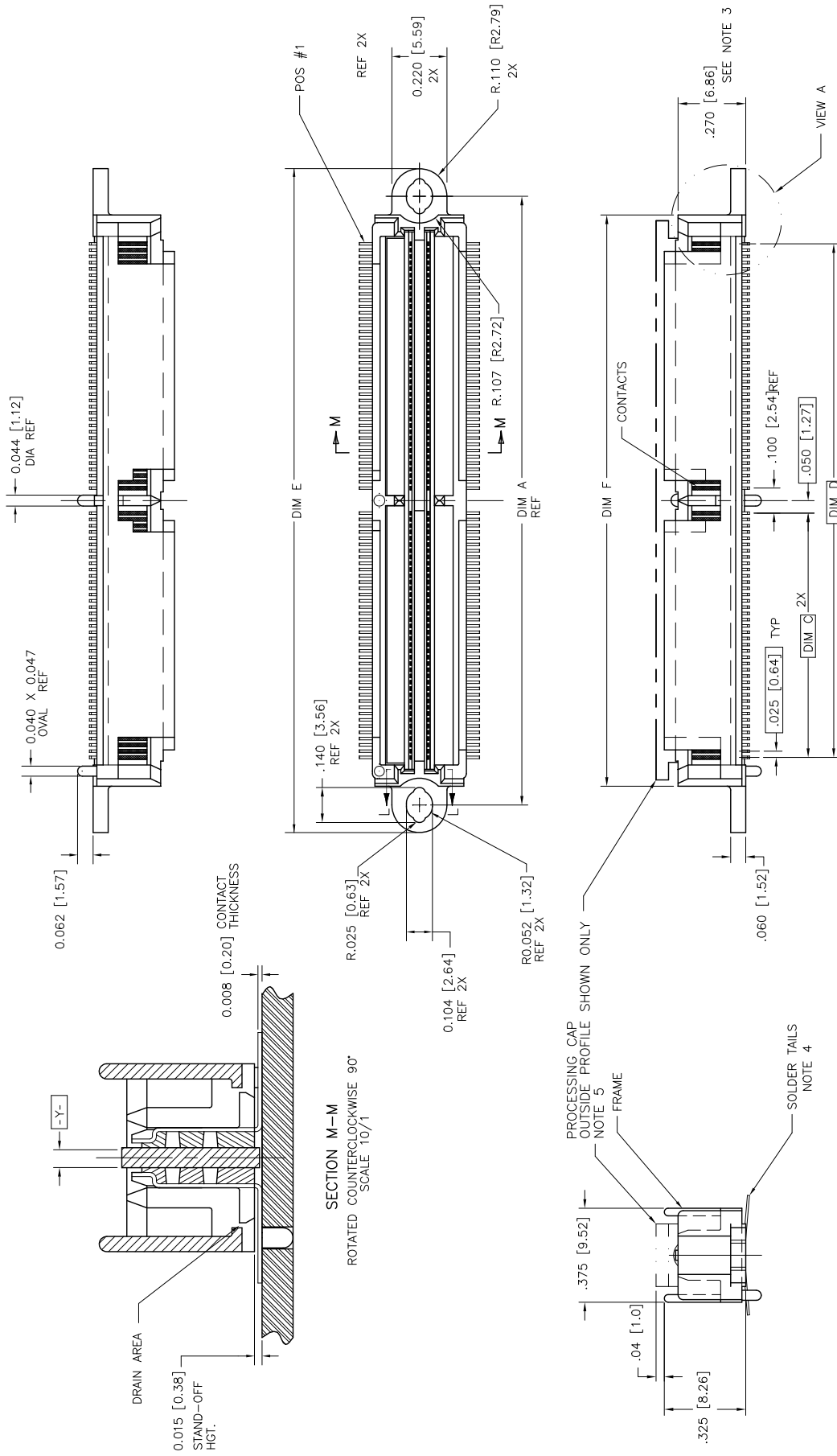
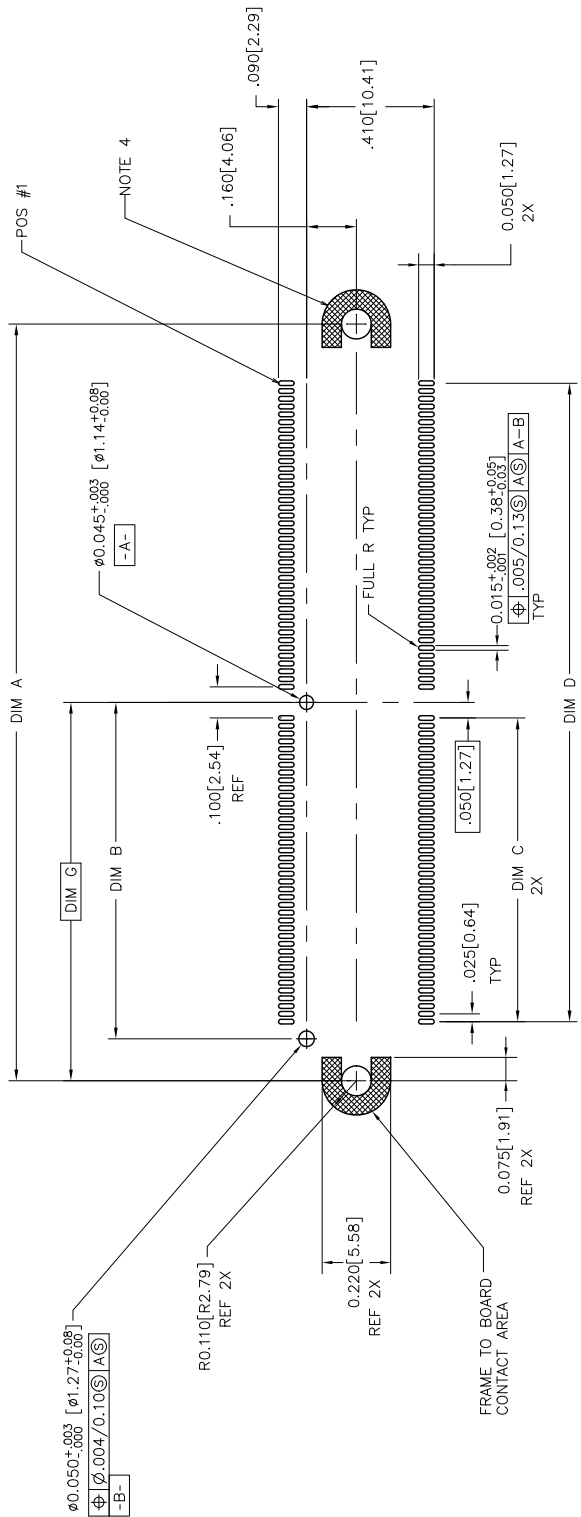


PRODUCT NUMBER  
SEE TABLE

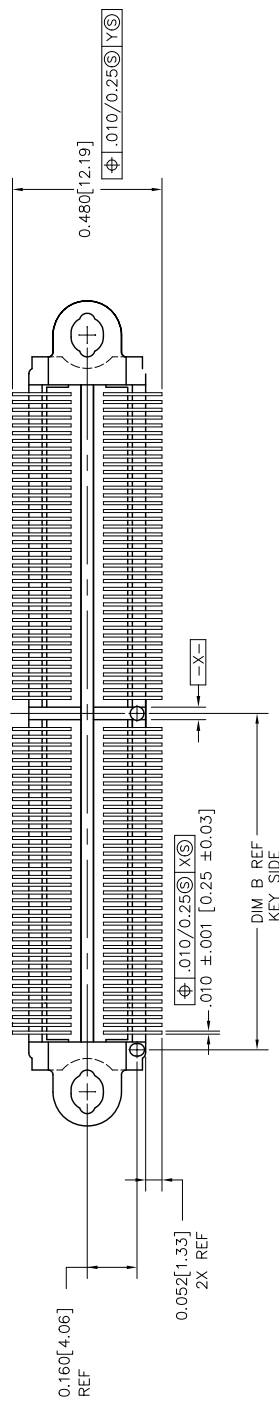


mat'l. code		surface		tolerance		projection		product family	
-		ISO 1302		ISO 406		MICRO PAX		MICRO PAX	
itr		ecn no		dr		date		title	
H		V51287		MRC		10/20/95		MICRO PAX .025M SMT	
J		E70095		SAR		7/22/97		PLUG DOUBLE MODULE	
K		V01503		CGD		6/12/00		dwg no	
L		V12115		CRG		8/17/01		sheet 1 of 3 size	
M		M05-0082		MHT		5/06/05		A3	
N		M06-0279		AEA		7/22/06		type	
P		ELX-H-01340		YO		4/18/12		Product Customer Drawing	
sheet		revision		P		P		Drawing	
index		sheet		1		2		3	

PRODUCT NUMBER  
SEE TABLE



PROPOSED TERMINATION REQUIREMENTS



BOTTOM VIEW

mat'l. code		surface		tolerance		projection		product family	
-		ISO 1302		ISO 406		1st angle		MICROPAX	
itr		ecn no		date		tolerances unless otherwise specified		title	
P						.XX $\pm$ .01/0.3		MICROPAX .025M SMT	
						linear .XXX $\pm$ .05/0.13		PLUG DOUBLE MODULE	
						.xxxx $\pm$ .020/0.051		dwg no	
		dr		T. HOUTZ		3/04/93		sheet 2 of 3 size	
		engr		M. HAHN		3/04/93		91294	
		chr		M. HAHN		3/04/93		A3	
		appd		M. HAHN		3/04/93		type	
sheet		revision						Product Customer Drawing	
index		sheet						Drawing	

PRODUCT	NO. OF CONTACTS	DIM A	DIM B	DIM C	DIM D	DIM E	DIM F	DIM G	CONTACT PLATING NOTE 2	HOLD-DOWN	PROCESSING CAP
91294-001	120	1.930/50.95	.830/21.08	.725/18.42	1.550/39.37	2.150/54.61	1.790/45.47	.965/24.51	30 GXT		CAPS INSTALLED ON CONNECTOR
-002	160	2.430/61.72	1.080/27.43	.975/24.76	2.050/52.07	2.650/67.31	2.290/58.16	1.215/30.86	30 GXT		OPTIONAL SEE NOTE 6
-003	200	2.930/74.42	1.330/33.78	1.225/31.12	2.550/64.77	3.150/80.01	2.790/70.87	1.465/37.21	30 GXT		NOT SHIPPED ON CONNECTOR CAPS SUPPLIED LOOSE PIECE
-033	200	2.930/74.42	1.330/33.78	1.225/31.12	2.550/64.77	3.150/80.01	2.790/70.87	1.465/37.21	30 GXT		NOT SHIPPED ON CONNECTOR CAPS SUPPLIED LOOSE PIECE
91294-413	200	2.930/74.42	1.330/33.78	1.225/31.12	2.550/64.77	3.150/80.01	2.790/70.87	1.465/37.21	60 GXT		CAPS INSTALLED ON CONNECTOR

LEAD FREE OPTION:

91294-001LF	120	1.930/50.95	.830/21.08	.725/18.42	1.550/39.37	2.150/54.61	1.790/45.47	.965/24.51	30 GXT		CAPS INSTALLED ON CONNECTOR
-002LF	160	2.430/61.72	1.080/27.43	.975/24.76	2.050/52.07	2.650/67.31	2.290/58.16	1.215/30.86	30 GXT		OPTIONAL SEE NOTE 6
-003LF	200	2.930/74.42	1.330/33.78	1.225/31.12	2.550/64.77	3.150/80.01	2.790/70.87	1.465/37.21	30 GXT		NOT SHIPPED ON CONNECTOR CAPS SUPPLIED LOOSE PIECE
-033LF	200	2.930/74.42	1.330/33.78	1.225/31.12	2.550/64.77	3.150/80.01	2.790/70.87	1.465/37.21	30 GXT		NOT SHIPPED ON CONNECTOR CAPS SUPPLIED LOOSE PIECE
91294-413LF	200	2.930/74.42	1.330/33.78	1.225/31.12	2.550/64.77	3.150/80.01	2.790/70.87	1.465/37.21	60 GXT		CAPS INSTALLED ON CONNECTOR

NOTES:

- MATERIALS:  
DIELECTRIC: LCP  
CONTACTS: PHOS BRONZE  
FRAME: ZINC ALLOY #3
- PLATING:  
SOLDER TAILS: 150 u"/3.81um Sn-Pb  
FRAME: 100u"/2.54um NICKEL  
CONTACTS: 30u"/0.76um GXT OVER 50u"/1.27um Ni  
OR 60u"/1.52um GXT OVER 75u"/1.90um Ni.  
LEAD FREE OPTION:  
SOLDER TAILS: 150 u"/3.81um Sn  
FRAME: 100u"/2.54um NICKEL  
CONTACTS: 30u"/0.76um GXT OVER 50u"/1.27um Ni  
OR 60u"/1.52um GXT OVER 75u"/1.90um Ni.

- WHEN CONNECTOR IS MATED WITH OPPOSITE HALF, THE PARALLEL BD. TO BD. HGT. IS 0.47 ±0.01. (APPLYS TO VERT. THRU & SURFACE MT. STYLES)
- THE SOLDER TAILS ON THIS PRODUCT ARE DESIGNED TO BE COMPLIANT IN ORDER TO ACCOMMODATE PRINTED CIRCUIT BOARD DIMENSIONAL VARIATIONS, THEREFORE, HOLD-DOWN HARDWARE IS REQUIRED TO SECURE THE CONNECTOR TO THE PRINTED CIRCUIT BOARD FOR MOST TYPES OF SOLDER REFLOW OPERATIONS. FOR FURTHER APPLICATION DATA, INCLUDING HOLE SIZES FOR VARIOUS TYPES OF HARDWARE, SEE TA-932.
- DO NOT REMOVE PROCESSING CAP UNTIL SOLDERING IS COMPLETED.
- BY ADDING LETTER "H" TO TABULATED P/N, THE OPTIONAL HOLD-DOWNS WILL BE SUPPLIED INTEGRAL W/CONNECTOR. EXAMPLE: XXXX-XXXH (HOLD-DOWN)

- PART NUMBERS WITH LF SUFFIX AT THE END ARE LEAD FREE.
- THE HOUSING WILL WITHSTAND EXPOSURE TO 260°C PEAK TEMPERATURE FOR 20 SECONDS IN A CONVECTION, INFRA-RED OR VAPOR PHASE REFLOW OVEN.
- IF "LF" P/N THE PRODUCT MEETS EUROPEAN UNION DIRECTIVES AND OTHER COUNTRY REGULATION AS DESCRIBED IN GS-22-008.
- PRODUCT SPECIFICATION PER BUS-12-105.

mat'l. code		surface	tolerance	projection	product family			
itr	ecn no	dr	date	ISO 1302	ISO 406	ISO 1101	INCH/MM	scale
P				tolerances unless otherwise specified	angles	linear	.XX±.01/0.3	1:1
				0°±2°	T. HOUTZ	3/04/93		
					engr	M. HAHN	3/04/93	
					chr	M. HAHN	3/04/93	
					appd	M. HAHN	3/04/93	
sheet index	revision	sheet						
				MICROPAX				
				MICROPAX .025M SMT				
				PLUG DOUBLE MODULE				
				dwg no		sheet 3 of 3 size A3		
				91294		Product Customer Drawing		